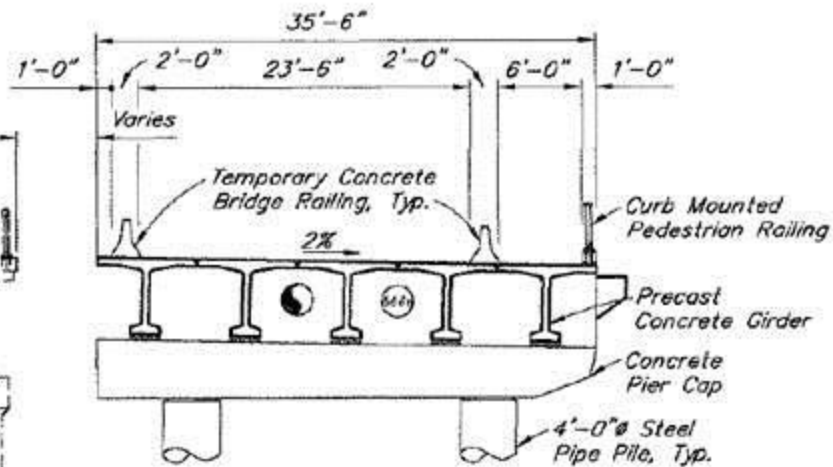
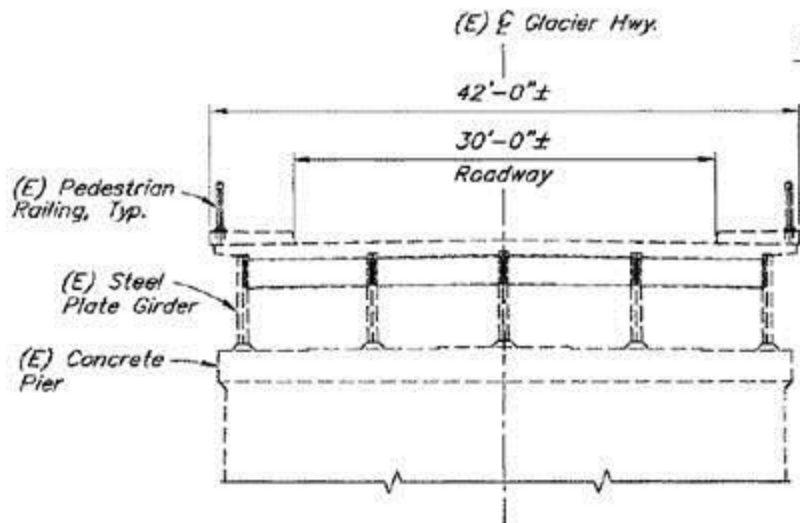


Brotherhood Bridge Replacement Project Phase 1



Brotherhood Bridge Replacement Project Phase 2

