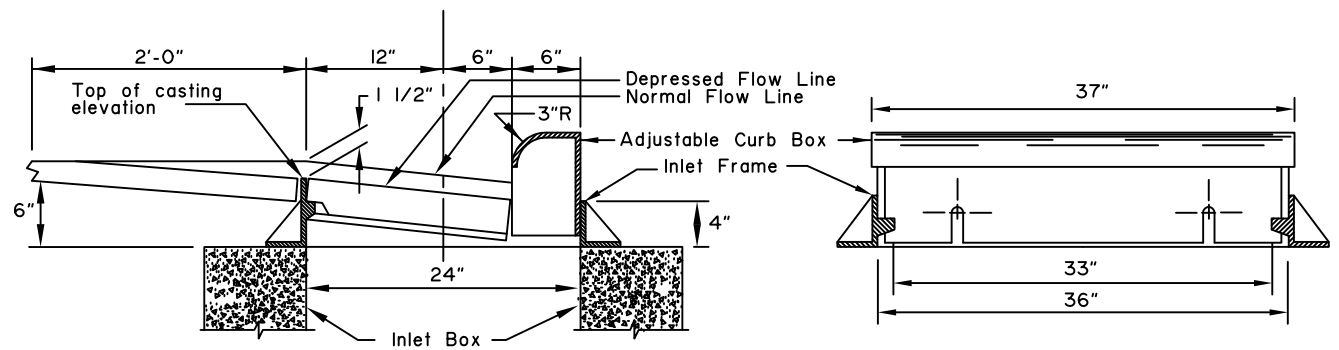
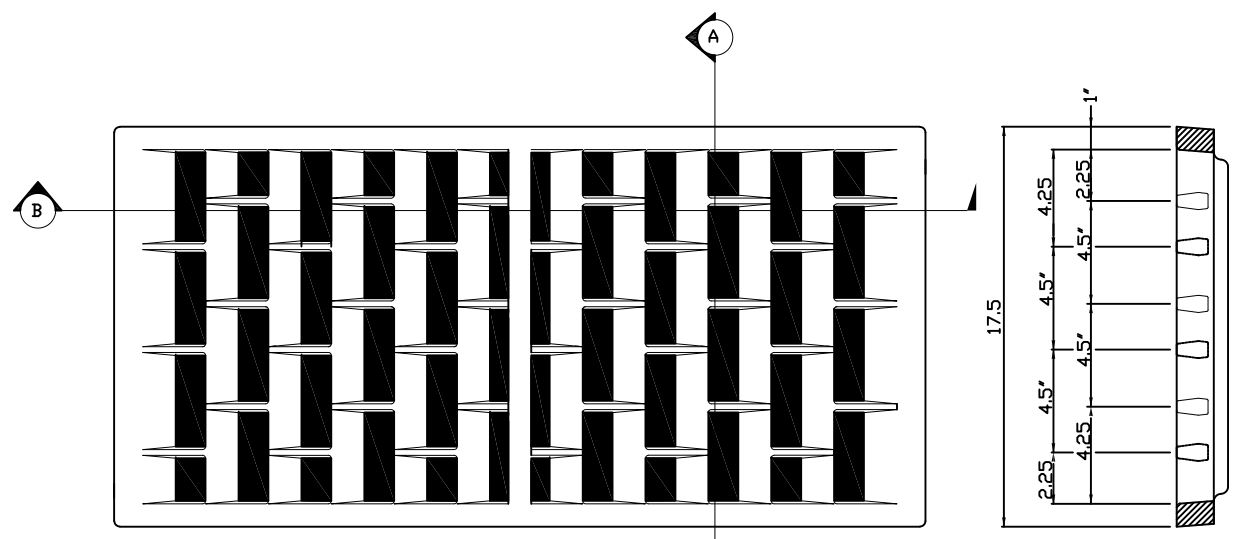


STANDARD CURB INLET INSTALLATION



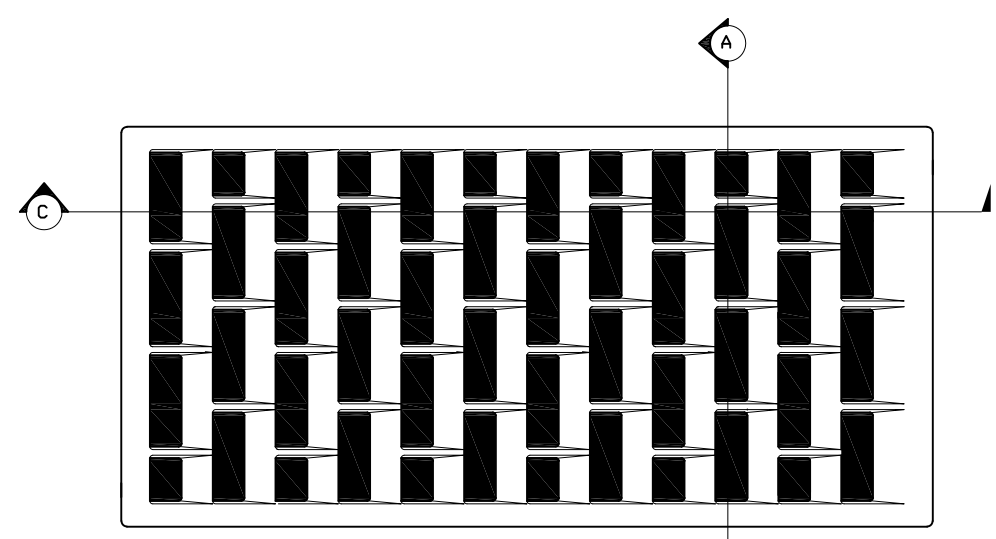
SECTION (D)

- NOTES:
1. Details shown are to indicate general design only. Dimensions and design may vary among the manufacturers.
  2. Minimum casting weight shall be 330 lbs for Curb Inlet Frame with Curb Box and 150 lbs. for Inlet Grate.
  3. The outside dimensions of Inlet Grate shall be 35 1/2" x 17 1/2" and all grates shall be interchangeable.



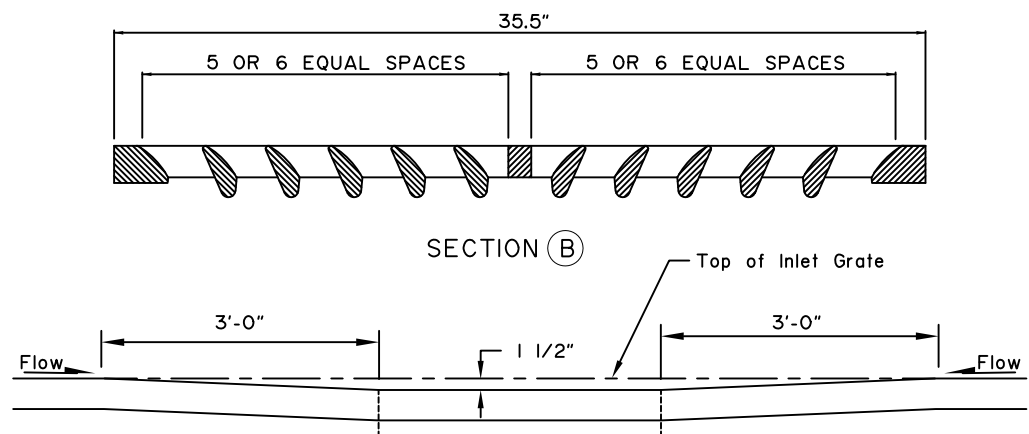
PLAN VIEW

SECTION (A)



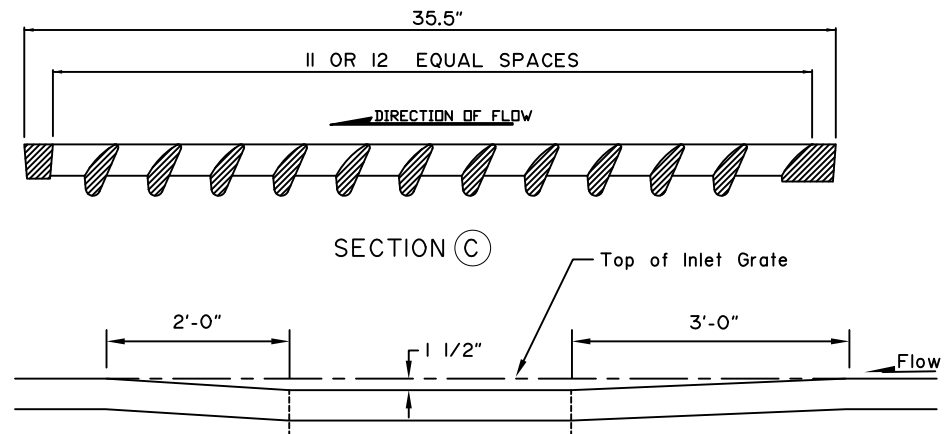
PLAN VIEW

SECTION (C)



SECTION (B)

AT SAG POINT



ON GRADE

DEPRESSION IN FLOW LINE AT INLET CONSTRUCTION DETAILS

NOT TO SCALE

State of Alaska DOT&PF  
ALASKA STANDARD PLAN

**HIGH CAPACITY  
CURB INLET BOX  
FRAME AND GRATE**

Adopted as an Alaska  
Standard Plan by: *Kenneth J. Fisher*  
Kenneth J. Fisher, P.E.  
Chief Engineer

Adoption Date: 02/08/2019

Last Code and Stds. Review  
By: Date:  
Next Code and Standards Review date: 02/08/2029

D-25.00