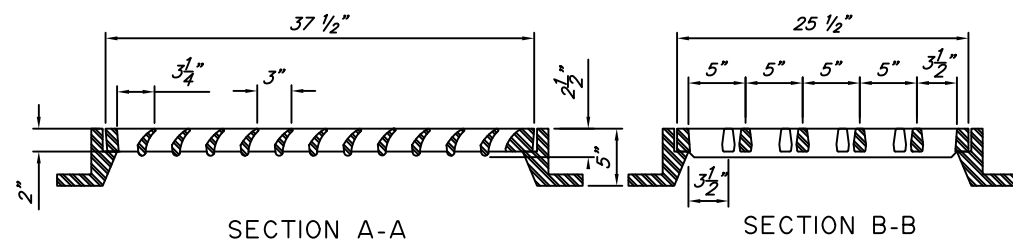
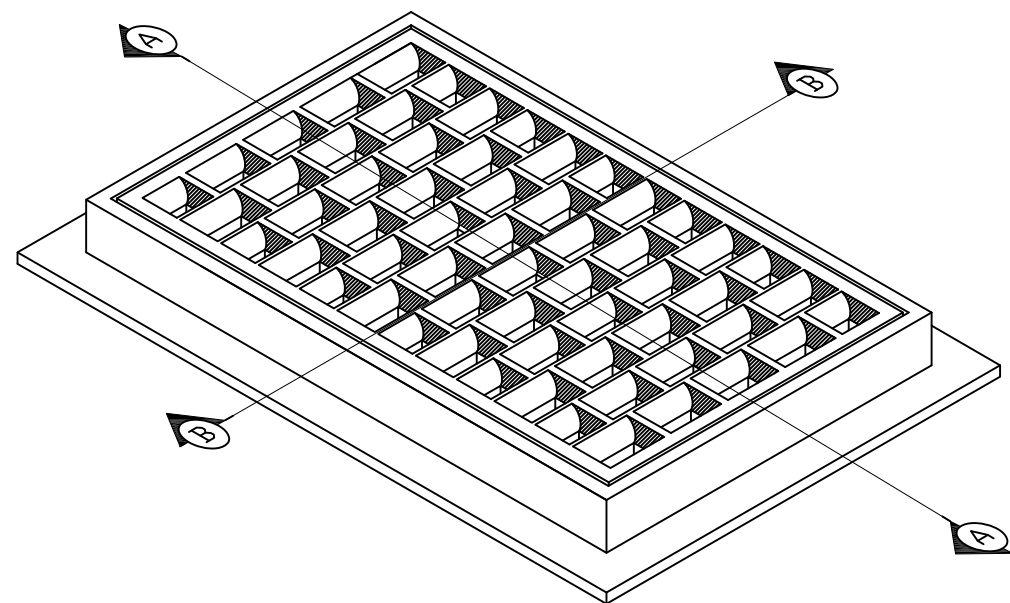


NOTES:

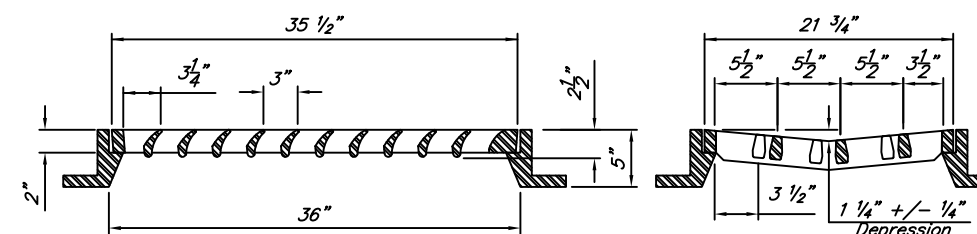
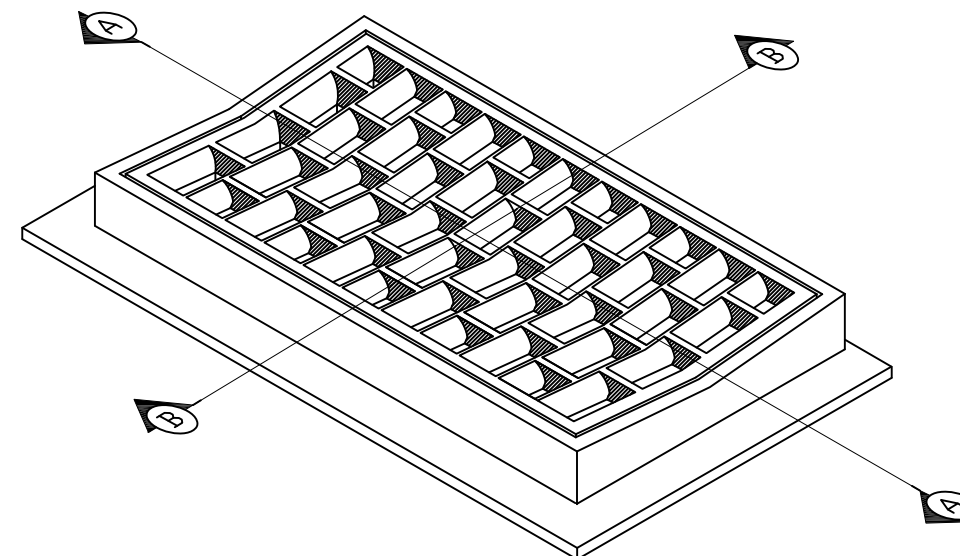
- Details shown are to indicate general design only. Dimensions may vary between manufacturers. Tolerance for grate dimension shall be +/- 1", unless otherwise noted.



SECTION A-A

SECTION B-B

HIGH CAPACITY FIELD INLET FRAME AND GRATE



SECTION A-A

SECTION B-B

HIGH CAPACITY GUTTER INLET FRAME AND GRATE

State of Alaska DOT&PF
ALASKA STANDARD PLAN
HIGH CAPACITY CURB INLET
BOX FRAME AND GRATE
(FIELD AND GUTTER INLETS)

Adopted as an Alaska
Standard Plan by: *Kenneth J. Fisher*
Kenneth J. Fisher, P.E.
Chief Engineer

Adoption Date: 02/08/2019

Last Code and Stds. Review
By: Date:

Next Code and Standards Review date: 02/08/2029

NOT TO SCALE